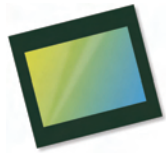


KLT-B8MF-OS05A10 V1.0**OmniVision OS05A10 MIPI Interfaz Foco fijo 5MP M12 Módulo de cámara**

Módulo de cámara No.	KLT-B8MF-OS05A10 V1.0
Sensor de imagen	OS05A10
EFL	3.07 mm
F.NO	1.8
Pixel	2688 x 1944
Ángulo de visión	164°
Tipo de lente	1/2.7 pulgada
Dimensiones de la lente	13.00 x 13.00 x 18.07 mm
Tamaño del módulo	40.00 x 22.00 mm
Tipo de módulo	Foco fijo
Interfaz	MIPI

N. ° de pieza del conector de acoplamiento. AXE540124

Conector de acoplamiento en la placa principal. Se vende por separado.



OS05A10 5-megapixel product brief



Versatile 5-Megapixel PureCel® Sensor with High Dynamic Range for a Wide Range of Commercial Security and Consumer Applications



available in
a lead-free
package

OmniVision's low-power OS05A10 is a 5-megapixel image sensor that brings crisp 1080p high definition, 2K, and 5-megapixel video to a wide range of commercial security and consumer applications, including 360-degree full-view cameras. Built on OmniVision's advanced PureCel® pixel architecture, the OS05A10 utilizes backside illumination (BSI) technology to deliver enhanced low-light sensitivity and wide field of view (FOV).

Available in the popular 1/2.7-inch optical format, the OS05A10 enables video applications in widely used 4:3 and 16:9 aspect ratios. The sensor can capture 1080p full high definition slow-motion video at 120 frames per second (fps) and 2688 x 1944 resolution at 60 fps.

Additionally, the OS05A10 features a 12-degree chief ray angle (CRA) and a dual-exposure staggered high dynamic range (HDR) mode to enable excellent scene reproduction in difficult high-contrast lighting conditions.

The OS05A10 is compatible with MIPI and LVDS interfaces and comes in a chip scale package (CSP) of 6.6 mm x 5.9 mm.

Find out more at www.ovt.com.



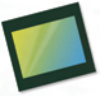
Applications

- Security Cameras
- High Resolution Consumer Cameras
- Action Cameras

Product Features

- 2 μm x 2 μm pixel
- optical size of 1/2.7"
- programmable controls for:
 - frame rate
 - mirror and flip
 - cropping
 - windowing
- supports output formats:
 - 10/12-bit RAW RGB
- supports images sizes:
 - 5MP (2688x1944)
 - 1080p (1920x1080)
 - 720p (1280x720)
- supports 2x2 binning
- standard serial SCCB interface
- 12/10-bit ADC
- up to 4-lane MIPI/LVDS serial output interface (supports maximum speed up to 1500 Mbps/lane)
- 2-exposure staggered HDR support
- programmable I/O drive capability
- light sensing mode (LSM)
- PLL with SCC support
- support for frame sync

OS05A10



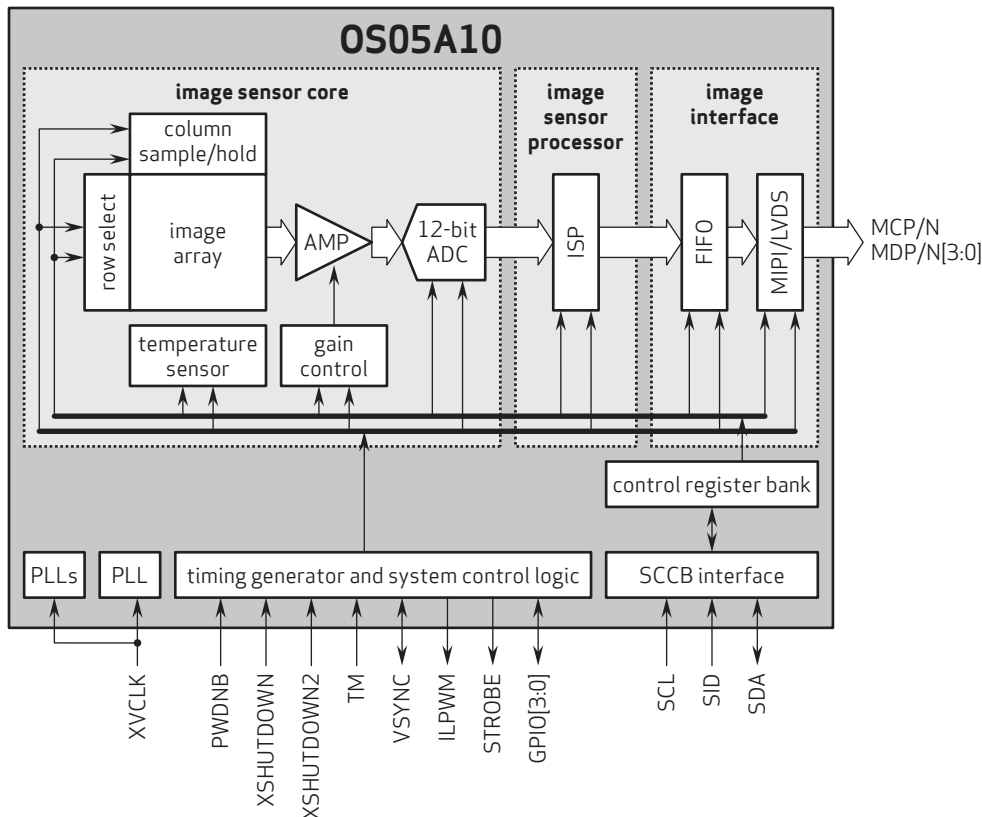
Ordering Information

- OS05A10-H79A-Z
(color, lead-free, 79-pin CSP)

Product Specifications

- active array size: 2688 x 1944
- lens chief ray angle: 11° linear
- power supply:
 - core: 1.2V
 - analog: 2.8V
 - I/O: 1.8V
- power requirements:
 - active: 221 mW
 - standby: 210 μA
 - XSHUTDOWN: 0.6 μA
- temperature range:
 - operating: -30°C to +85°C junction temperature
 - stable image: 0°C to +60°C junction temperature
- output formats: 10/12-bit RGB RAW
- lens size: 1/2.7"
- input clock frequency: 6 - 27 MHz
- scan mode: progressive
- maximum image transfer rate:
 - 2688x1944: 60 fps
 - 2688x1520: 60 fps
- maximum exposure interval: VTS - 8
- minimum exposure interval: 2 t_{row}
- pixel size: 2.0 μm x 2.0 μm
- image area: 5434.56 μm x 3948.05 μm
- package dimensions:
 - CSP: 6638.8 μm x 5935 μm

Functional Block Diagram



4275 Burton Drive
Santa Clara, CA 95054
USA

Tel: +1 408 567 3000
Fax: +1 408 567 3001
www.ovt.com

OmniVision reserves the right to make changes to their products or to discontinue any product or service without further notice. OmniVision, the OmniVision logo and OmniPixel are registered trademarks of OmniVision Technologies, Inc. OmniBSI-Z is a trademark of OmniVision Technologies, Inc. All other trademarks are the property of their respective owners.



OmniVision